

Technical data

Technical data	U.M.	SMART 6514	SMART 6516	INDUSTRIAL SMART 6514	INDUSTRIAL SMART 6516
Dimensions belt <i>(measured from the roll's center)</i>	mm	645x1400	645x1600	645x1400	645x1600
Dimensions on work	mm	3528x1318Hx1210	3928x1318Hx1210	3528x1318Hx1210	3928x1318Hx1210
Packaging dimensions	cm	155x155x195H		155x155x195H	
Net weight machine	kg	380	400	490	500
Weight machine + packaging	kg	480	500	590	600
Rated power supply	kW	1,5			
Supply voltage	V	220 / 380 / 415 / 440 / 460 / 480			
Frequency	Hz	50 - 60			
Electrical phases		3	3	3	3
Belt speed	cm/s	20 - 85		20 - 100	

Technical data	U.M.	INDUSTRIAL SMART 6520	AUTOSMART 7014	AUTOSMART 7016	AUTOSMART 7020
Dimensions belt <i>(measured from the roll's center)</i>	mm	645x2000	695x1400	695x1600	695x2000
Dimensions on work	mm	4728x1318Hx1210	3660x1380Hx1300	4060x1380Hx1300	4860x1380Hx1300
Packaging dimensions	cm	115x140x180H 255x115x70H	155x155x195H		155x155x195H 255x115x70
Net weight machine	kg	520	580	600	620
Weight machine + packaging	kg	720	680	700	820
Rated power supply	kW	1,5			
Supply voltage	V	220 / 380 / 415 / 440 / 460 / 480			
Frequency	Hz	50 - 60			
Electrical phases		3	3	3	3
Belt speed	cm/s	20 - 100	20 - 120		

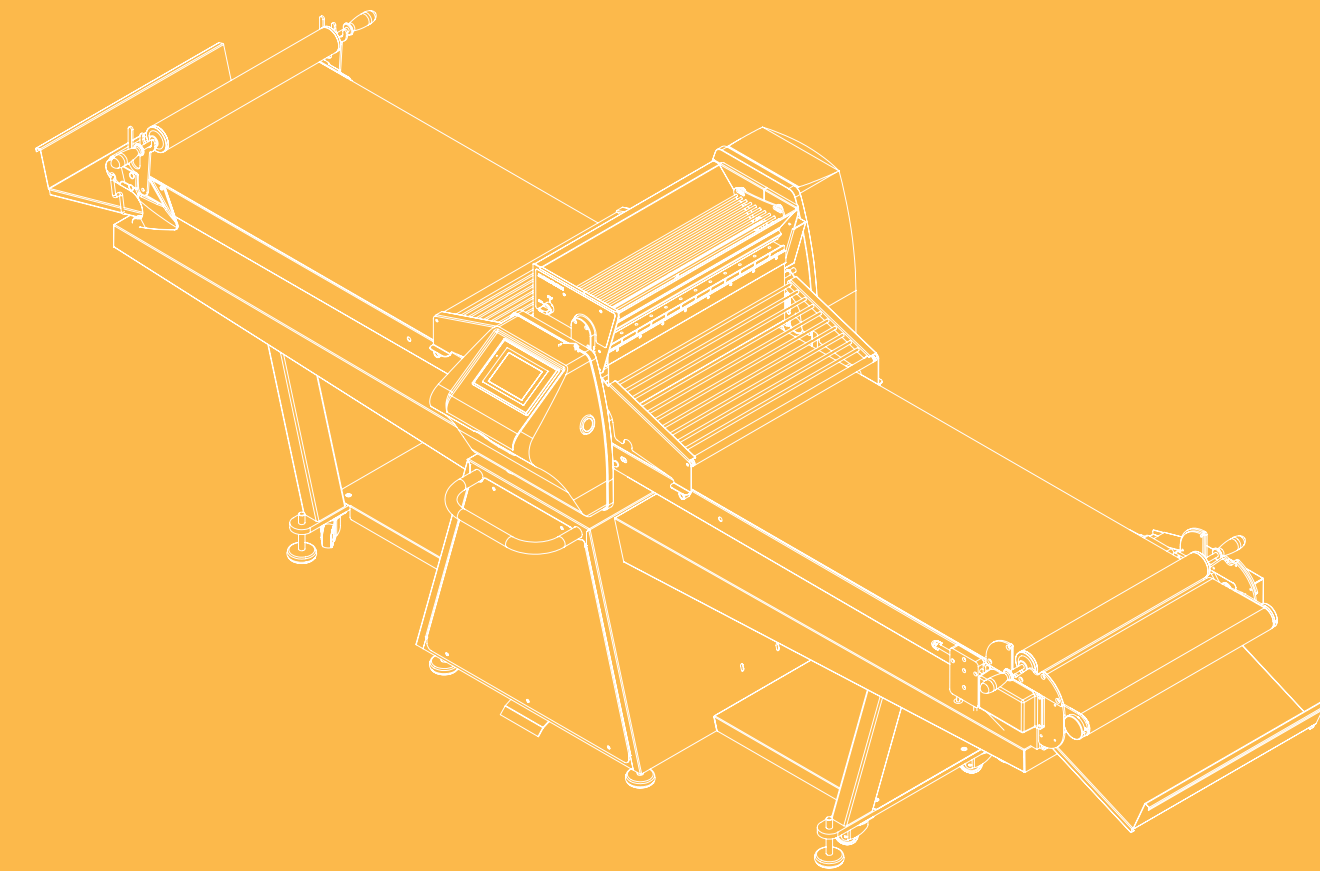
Technical data	U.M.	AUTO 123 7014	AUTO 123 7016	AUTO 123 7020
Dimensions belt <i>(measured from the roll's center)</i>	mm	695x1400	695x1600	695x2000
Dimensions on work	mm	3660x1380Hx1300	4060x1380Hx1300	4860x1380Hx1300
Packaging dimensions	cm	155x155x195H	155x155x195H	155x155x195H 250x115x70H
Net weight machine	kg	650	680	710
Weight machine + pack	kg	750	880	910
Rated power supply	kW	4,4		
Supply voltage	V	220 / 380 / 415 / 440 / 460 / 480		
Frequency	Hz	50 - 60		
Electrical phases		3	3	3
Belt speed	cm/s	20 - 120		

Tekno Stamap reserves the right to make technical changes at any time and without notice.

Smart

Automatic sheeter

MADE IN ITALY



Tekno Stamap

Via Tretti Marotti, 8
36040 Grisignano di Zocco
Vicenza - Italy

T.: 0039 0444 - 414 735
F.: 0039 0444 414 719

www.teknostamap.com
info@teknostamap.com

1982
40
2022
ANNIVERSARY
Tekno Stamap
www.teknostamap.com

Technology boosting creativity

EN

Smart

Automatic sheeter

SIMPLICITY, AUTOMATION AND EFFICIENCY

The automatic sheeters of the SMART are the excellence of Tekno Stamap in lamination. The SMART and INDUSTRIAL SMART models perfectly manage to combine the simplicity of use of the manual machine with the convenience, speed and precision of automatic touch screen programming. The AUTOSMART range represents the top for automatic dough sheeters.

The programmable touch screen control panel allows you to store up to 50 programs. With the addition of the automatic flour duster and the automatic winder (both optional for SMART and INDUSTRIAL SMART), the programming will allow

you to automate the entire process for maximum efficiency and speed and the best precision that can be obtained. Our touch screen module also allows you to work in manual or semi-automatic mode, for fast and occasional processing.

The AUTOSMART 123 range, with the 123 mm diameter rolling cylinders, is the ideal machine for laminating very hard doughs even up to 0.2 mm thick without any problem, as the reinforcements to the structure and sides allow maximum precision even with products that are particularly difficult to sheet and laminate.



Ideal for leafing even reduced thickness of dough in automatic mode

Smart 650

Belt speed variable from 20 to 85 cm/sec

Optional:
Automatic programmable flour duster

Touch screen display, 50 programs storable

Optional:
Automatic winder

Possibility to fold the machine once the working cycle is finished to limit the overall dimensions at rest

Machine mounted on wheels with stabilizing feet

Industrial Smart 650

Belt speed variable from 20 to 100 cm / sec

Optional:
Automatic programmable flour duster

Optional:
Automatic winder

Reinforced structure with under shelves for greater stability

Machine mounted on wheels with stabilizing feet

Structure also designed to store cutting devices and your objects for maximum convenience

Autosmart 700

Tables length 700mm

Automatic programmable flour duster as standard

Automatic winder as standard

Reinforced, stainless steel structure as standard

Belt speed variable from 20 to 120 cm/sec

Auto 123 700

Tables length of 700 mm, to sheet higher quantities of dough

Automatic programmable flour duster as standard

Automatic winder as standard

Reinforced, stainless steel structure as standard

Lamination rollers of 123 mm of diameter and reinforced system for roll opening to sheet even hard doughs with no problems

Reinforced sides for maximum precision



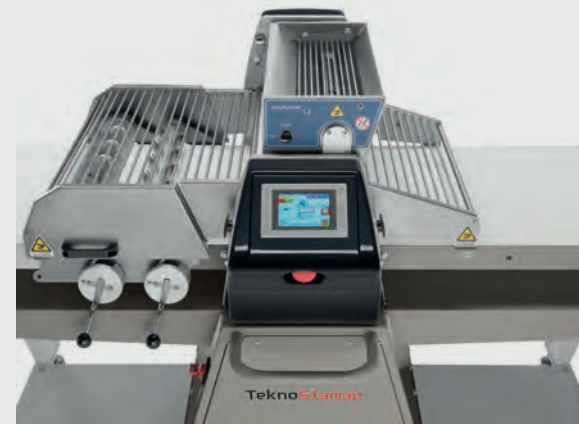
TECHNICAL DETAILS

Scrapers and supports made of polyethylene and food materials, easy to disassemble and clean



TECHNICAL DETAILS

Color touch screen control panel



OPTIONAL

Cutting device available on request for all models



TECHNICAL DETAILS

No-stress automatic dough winder. Detail of the head of Auto 123 with reinforced sides, 123 mm cylinders of diameter and 60 mm maximum opening

